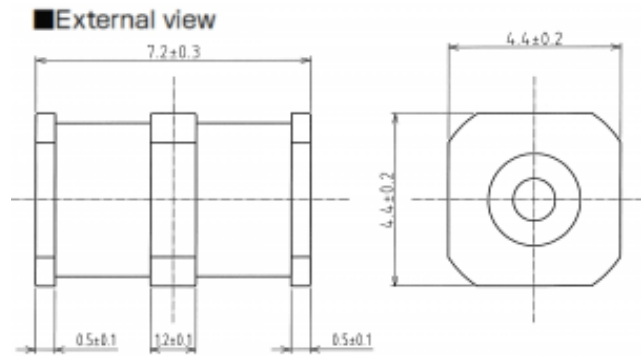


# 3SDH4 Series



## Characteristics

Part Number	DC Breakdown Voltage	Impulse Breakdown Voltage	Insulation Resistance	DC Holdover Voltage	Impulse Life	Impulse Discharge	AC Discharge Current (L1+L2-E)
	(L1-E) (L2-E)	(L1-E) (L2-E)			(L1+L2-E)	Current (L1+L2-E)	
	100V/s	1kV/μs			≤ 150ms	10/1000μs	
<a href="#">3SDH4-75</a>	75V ± 20%	≤ 600V	≥ 10,000 MΩ	≤ 52V	100A × 2	5kA × 2	5A × 2
	(60V – 90V)				(300 Times)	(5 times in each polarity)	(10 times)
<a href="#">3SDH4-90</a>	90V ± 20%	≤ 600V	≥ 10,000 MΩ	≤ 52V	100A × 2	5kA × 2	5A × 2
	(72V – 108V)				(300 Times)	(5 times in each polarity)	(10 times)
<a href="#">3SDH4-145</a>	145V ± 20%	≤ 600V	≥ 10,000 MΩ	≤ 80V	100A × 2	5kA × 2	5A × 2
	(116V – 174V)				(300 Times)	(5 times in each polarity)	(10 times)
<a href="#">3SDH4-200</a>	200V ± 20%	≤ 600V	≥ 10,000 MΩ	≤ 135V	100A × 2	5kA × 2	5A × 2
	(160V – 240V)				(300 Times)	(5 times in each polarity)	(10 times)
<a href="#">3SDH4-230</a>	230V ± 20%	≤ 650V	≥ 10,000 MΩ	≤ 135V	100A × 2	5kA × 2	5A × 2
	(184V – 276V)				(300 Times)	(5 times in each polarity)	(10 times)
<a href="#">3SDH4-350</a>	350V ± 20%	≤ 750V	≥ 10,000 MΩ	≤ 135V	100A × 2	5kA × 2	5A × 2
	(280V – 420V)				(300 Times)	(5 times in each polarity)	(10 times)