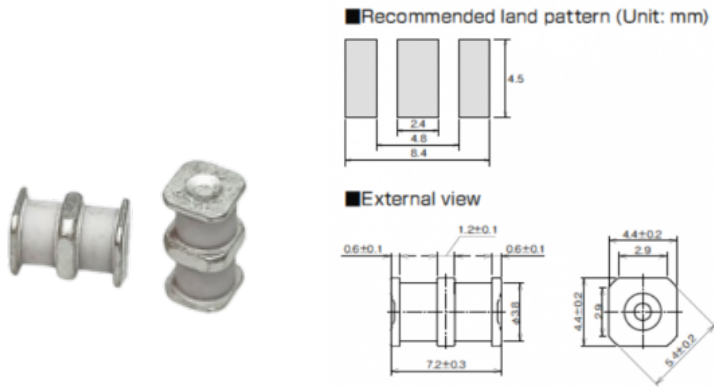


3SD4 Series



Characteristics

Part Number	DC Breakdown Voltage	Impulse Breakdown Voltage	Insulation Resistance	DC Holdover Voltage	Impulse Life		Impulse Discharge Current (L1+L2-E) (8/20μs)	AC Discharge Current (L1+L2-E) (50Hz)
	(L1-E) (L2-E)	(L1-E) (L2-E)			(L1+L2-E)			1 Second
	100V/s	1kV/μs			8/20μs 200A	10/1000μs 100A		
3SD4-75	75V ±20%	≤ 600V	≥ 10,000 MΩ	≤ 52V	1000 Times	—	5kA	10A
3SD4-90	90V ±20%	≤ 600V	≥ 10,000 MΩ	≤ 52V	1000 Times	—	5kA	10A
3SD4-145	145V ±20%	≤ 600V	≥ 10,000 MΩ	≤ 80V	1000 Times	—	5kA	10A
3SD4-200	200V ±20%	≤ 600V	≥ 10,000 MΩ	≤ 135V	1000 Times	—	5kA	10A
3SD4-230	230V ±20%	≤ 650V	≥ 10,000 MΩ	≤ 135V	—	300 Times	10kA	10A