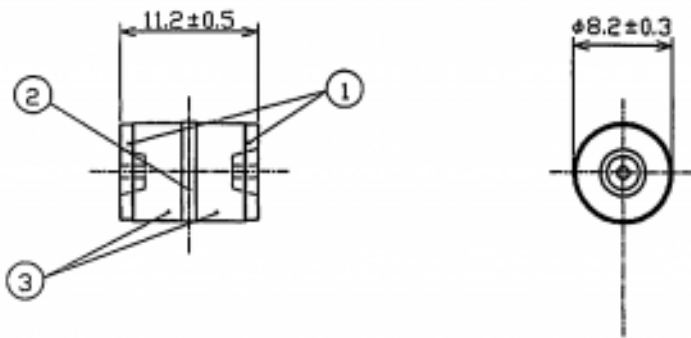


3P Series



External view



Characteristics

Part Number	DC Breakdown Voltage (L1-E)(L2-E)	Impulse Breakdown Voltage (L1-E)(L2-E)		Insulation Resistance	DC Holdover Voltage	Impulse Life (L1+L2-E) (10/1000μs 500A)	Impulse Discharge Current (L1+L2-E) (8/20μs)		AC Discharge Current (L1+L2-E) (50Hz)	
		100V/μs	100V/μs				1 Time	10 Times	11 Cycles, 1 Time	1 Second
3P-1L1	90V	≤ 600V	≤ 1050V	≥ 10,000 MΩ	≤ 60V	500 Times	20 kA	10 kA	180 A	24A, 10 Times
3P-4L1	250V	≤ 700V	≤ 1100V	≥ 10,000 MΩ	≤ 150V	500 Times	20 kA	10 kA	180 A	24A, 10 Times